

Island Style

Active and Relax solutions

56



CRUISER 56

Luxury redefined

As the flagship of the CRUISER line, the CRUISER 56 enters new dimensions. It offers an incredible amount of space along its length of nearly 17 metres – including a spacious dinghy garage. The variable cockpit provides plenty of room to move. The handling is quite impressive, too: despite its size, the CRUISER 56 can be sailed without a hitch.



56 | Magnificent interior



Thanks to the cooperation with the British design studio Design Unlimited, the CRUISER 56 has the look of a genuine yacht, inside and out. Fine wood, modern shapes and plenty of light create a warm atmosphere. In the aft cabins you instantly notice the extra large beds, which promise perfectly comfortable sleep.



3-cabin version*



4-cabin version A*



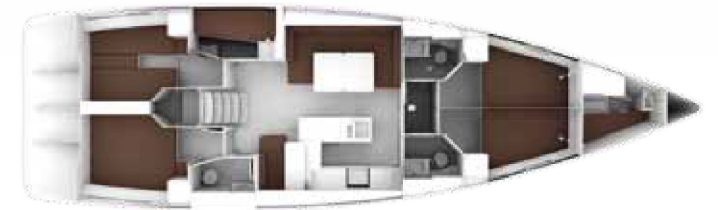
4-cabin version B*



4-cabin version C*



5-cabin version A*



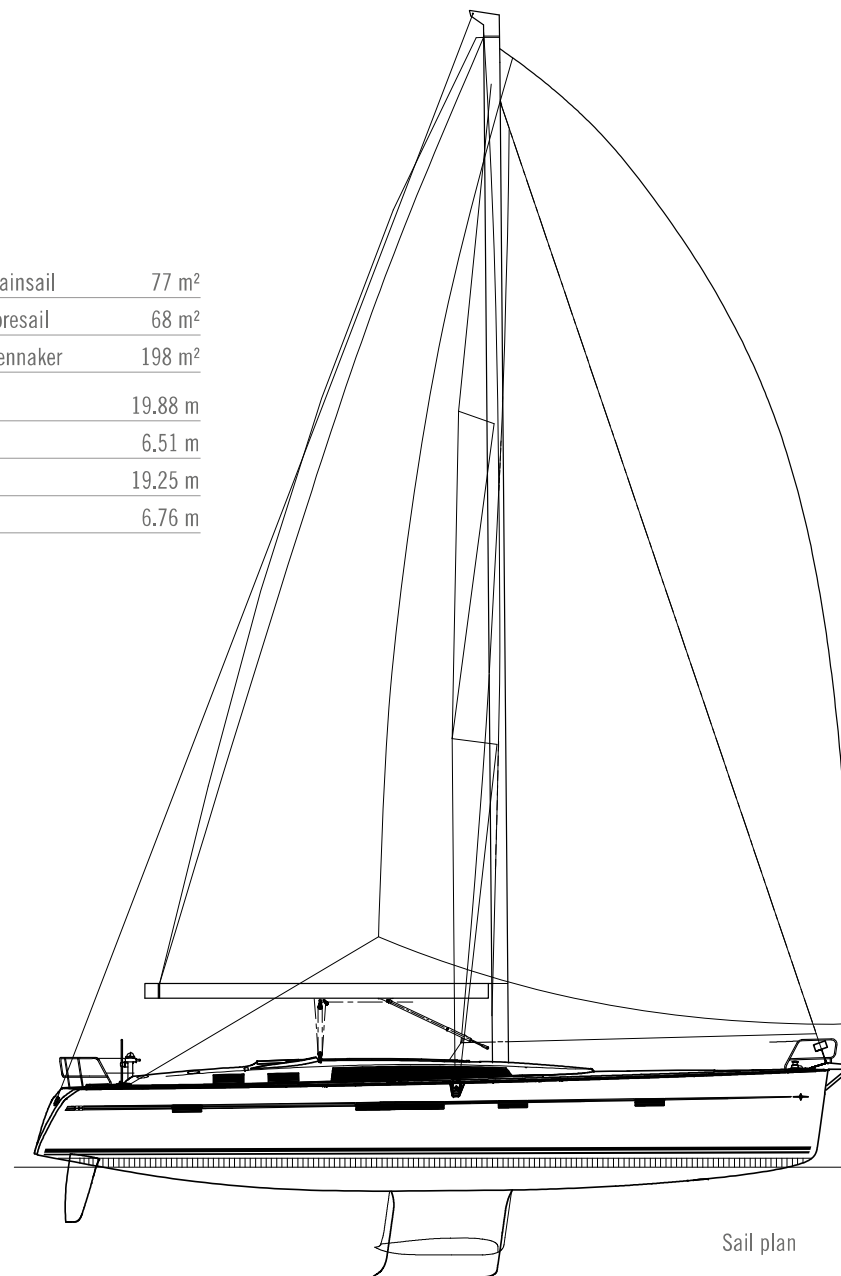
5-cabin version B*

*Optional skipper's cabin, sail storage locker as standard

56 | Technical data

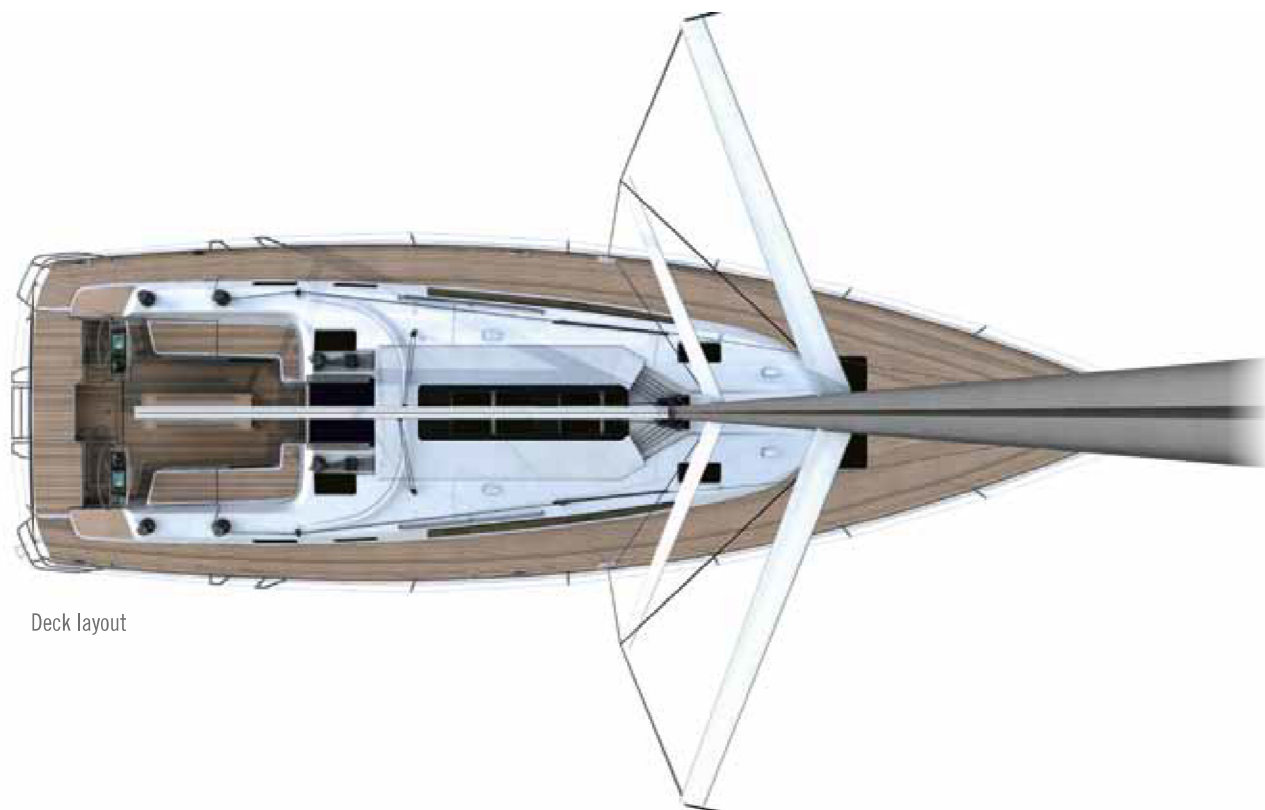


Mainsail	77 m ²
Foresail	68 m ²
Gennaker	198 m ²
I	19.88 m
J	6.51 m
P	19.25 m
E	6.76 m



Twin rudders

Sail plan



Deck layout

Length overall	16.75 m
Length hull	16.16 m
Length waterline	15.63 m
Beam overall	4.76 m
Draught standard (option)	2.46 m (2.02 m)
Light weight displacement	18,596 kg
Ballast	5,500 kg
Engine	Yanmar Shaftdrive 4JH4-HTE
Engine power	74 kW (100 PS)

Fuel tank (approx.)	280 l
Water tank (approx.)	690 l
Cabins	3*/4*/5*
Berths	6/8/10
Height in salon	2.06 m
Mainsail (battened) and fore sail	145 m ²
Height of mast above waterline	23.25
Passengers	16
CE category	A

All data is subject to change without notice and given without warranty.

*plus an optional skipper's cabin

